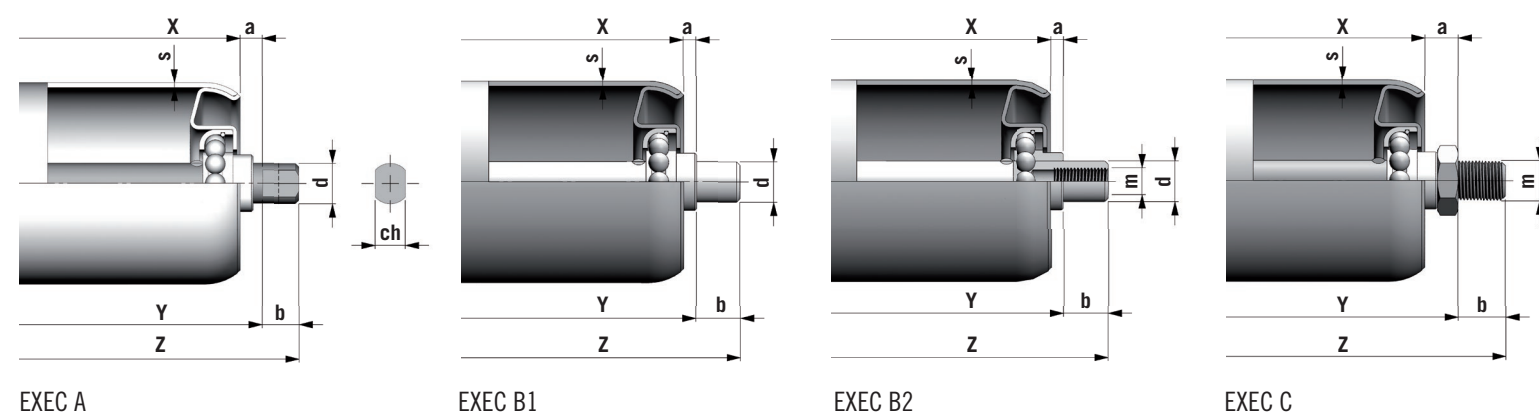
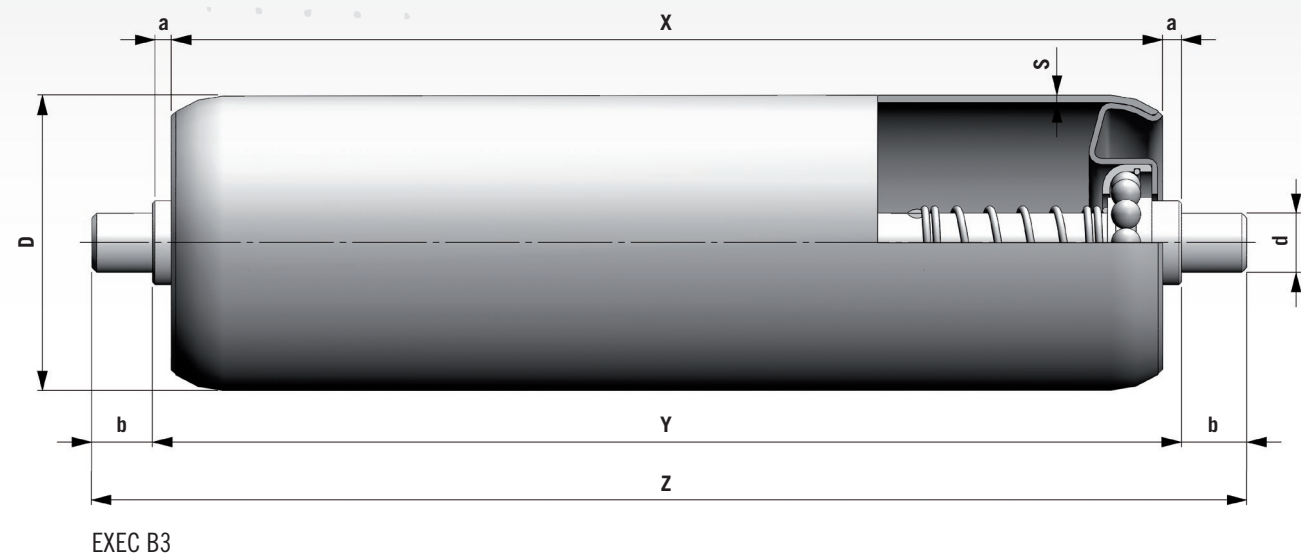


RULLO ALFA

ALFA ROLLER



TIPO TYPE	ESEC. ASSE SHAFT CONFIG.	DIMENSIONI - DIMENSIONS							PESO (KG) - WEIGHT (KG)	
		a	b	m	ch	D	d	s	x=200	Al mm - Per mm
12/4	B	1.5	8							
	C	4.5	15	4		12	4	1	0.094	0.00037
18/6	B	1.5	8							
	C	5.5	15	6		18	6	1	0.146	0.00064
24/6	B	2.5	8							
	C	6.5	15	6		24	6	1.5	0.248	0.00105
30/6	B	2.5	8							
	C	6.5	15	6		30	6	1	0.251	0.00095
40/6	B	2.5	8							
	C	6.5	15	6		40	6	1.5	0.415	0.00165
50/6	B	2.5	8							
	C	6.5	15	6		50	6	1.5	0.501	0.00202
24/7	B	2.5	8							
	C	6.5	15	6		24	7	1.5	0.264	0.00113
30/7	B	2.5	8							
	C	6.5	15	6		30	7	1	0.267	0.00103
40/7	B	2.5	8							
	C	6.5	15	6		40	7	1.5	0.430	0.00173
50/7	B	2.5	8							
	C	6.5	15	6		50	7	1.5	0.516	0.00210
24/8	A	5	8		6					
	B	2.5	8	5x10		24	8	1.5	0.287	0.00123
	C	7.5	15	8						
30/8	A	5	8		6					
	B	2.5	8	5x10		30	8	1	0.286	0.00112
	C	7.5	15	8						

RULLO ALFA

ALFA ROLLER

TIPO TYPE	ESEC. ASSE SHAFT CONFIG.	DIMENSIONI - DIMENSIONS							PESO (KG) - WEIGHT (KG)	
		a	b	m	ch	D	d	s	x=200	Al mm - Per mm
40/8	A	5	8		6					
	B	2.5	8	5x10		40	8	1.5	0.450	0.00182
	C	7.5	15	8						
50/8	A	5	8		6					
	B	2.5	8	5x10		50	8	1.5	0.536	0.00219
	C	7.5	15	8						
32/10	A	5	10		8					
	B	3	10	6x12		32	10	1.5	0.453	0.00175
	C	9	20	10						
40/10	A	5	10		8					
	B	3	10	6x12		40	10	1.5	0.540	0.00204
	C	9	20	10						
50/10	A	5	10		8					
	B	3	10	6x12		50	10	1.5	0.682	0.00241
	C	9	20	10						
60/10	A	5	10		8					
	B	3	10	6x12		60	10	1.5	0.772	0.00278
	C	9	20	10						
70/10	A	5	10		8					
	B	3	10	6x12		70	10	1.5	0.914	0.00315
	C	9	20	10						
76/10	A	5	10		8					
	B	3	10	6x12		76	10	2	1.070	0.00391
	C	9	20	10						
32/11E	A	3	10		11			1.5	0.472	0.00195
	B	3	10		11					
40/11E	A	3	10		11			1.5	0.563	0.00225
	B	3	10		11					
50/11E	A	3	10		11			1.5	0.705	0.00262
	B	3	10		11					
60/11E	A	3	10		11			1.5	0.799	0.00299
	B	3	10		11					
70/11E	A	3	10		11			1.5	0.941	0.00336
	B	3	10		11					
76/11E	A	3	10		11			2	1.097	0.00412
	B	3	10		11					
32/12	A	5	10		10					
	B	3	10	8x15		32	12	1.5	0.516	0.00202
	C	10	20	12						
40/12	A	5	10		10					
	B	3	10	8x15		40	12	1.5	0.604	0.00231
	C	10	20	12						
50/12	A	5	10		10					
	B	3	10	8x15		50	12	1.5	0.742	0.00268
	C	10	20	12						
60/12	A	5	10		10					
	B	3	10	8x15		60	12	1.5	0.835	0.00305
	C	10	20	12						
70/12	A	5	10		10					
	B	3	10	8x15		70	12	1.5	0.977	0.00342
	C	10	20	12						
76/12	A	5	10		10					
	B	3	10	8x15		76	12	2	1.133	0.00418
	C	10	20	12						
60/15	A	5	10		12					
	B	3	10	10x15		60	15	2	1.157	0.00425
	C	11	25	14						
76/15	A	5	10		12					
	B	3	10	10x15		76	15	2	1.372	0.00468
	C	11	25	14						

RULLO ALFA ALFA ROLLER

DISPONIBILI A MAGAZZINO IN STOCK

RULLO - ROLLER	X=						
ALFA 50/12 B3 ZINCATO - ALFA 50/12 B3 GALVANIZED	200	300	400	500	600	700	800
ALFA 60/12 B3 ZINCATO - ALFA 60/12 B3 GALVANIZED							

ESECUZIONI A RICHIESTA	AVAILABLE OPTIONS
Esecuzioni assi diverse	Different shaft configurations
Asse acciaio zincato	Galvanized steel shaft
Asse acciaio inox	Stainless steel shaft
Tubo acciaio zincato	Galvanized steel tube
Tubo acciaio inox	Stainless steel tube
Tubo alluminio	Aluminum tube
Cuscinetti acciaio inox	Stainless steel bearings
Rivestimento con guaina in PVC	PVC sheath coating
Rivestimento con guaina in gomma	Rubber sheath coating