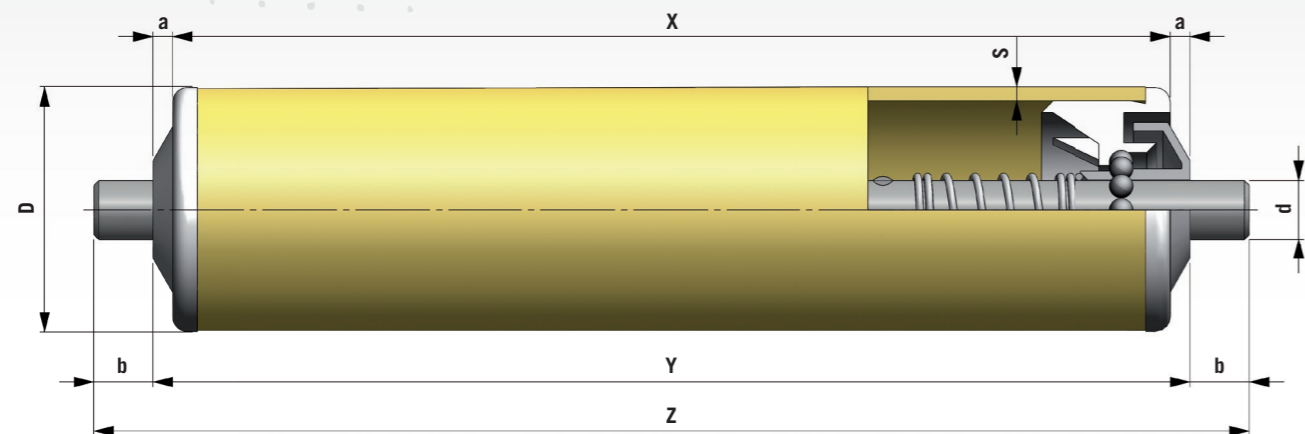
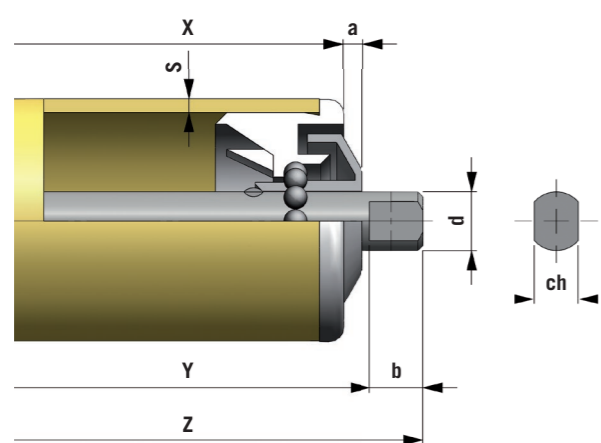


RULLO BETA TUBO PVC

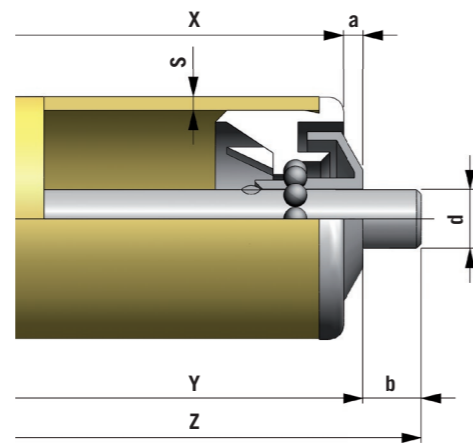
BETA ROLLER PVC TUBE



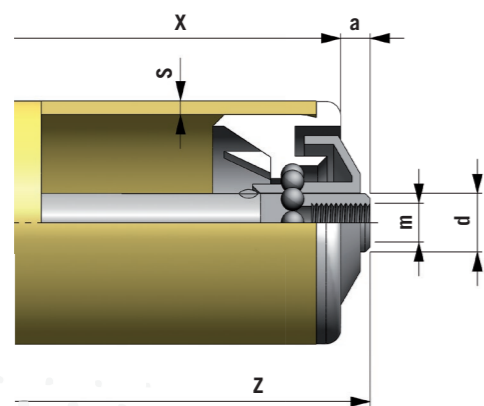
EXEC B3



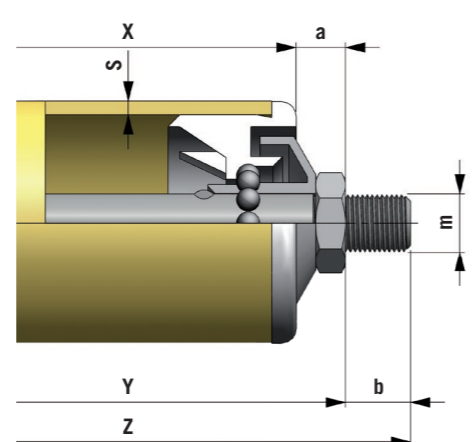
EXEC A



EXEC B1



EXEC B2



EXEC C

RULLO BETA TUBO PVC

BETA ROLLER PVC TUBE

TIPO TYPE	ESEC. ASSE SHAFT CONFIG.	DIMENSIONI - DIMENSIONS						PESO (KG) - WEIGHT (KG)		
		a	b	m	ch	D	d	s	X=200	Al mm - Per mm
20/6	B1/B3	2.5	6			20	6	1.5	0.085	0.00035
	B2	4		3x6						
	C	6.5	10	6						
30/6	B1/B3	2.5	6			30	6	1.8	0.122	0.00045
	B2	4		3x6						
	C	6.5	10	6						
40/6	B1/B3	2.5	6			40	6	2.3	0.158	0.00062
	B2	4		3x6						
	C	6.5	10	6						
30/8	A	4	8		6	30	8	1.8	0.161	0.00063
	B1/B3	2.5	8							
	B2	4		5x12						
	C	7.5	12	8						
40/8	A	4	8		6	40	8	2.3	0.201	0.00079
	B1/B3	2.5	8							
	B2	4		5x12						
	C	7.5	12	8						
50/8	A	6	8		6	50	8	2.8	0.265	0.00100
	B1/B3	5	8							
	B2	6		5x12						
	C	10	12	8						
40/10	A	4	10		8	40	10	2.3	0.259	0.00101
	B1/B3	2.5	10							
	B2	4		6x12						
50/10	A	6	10		8	50	10	2.8	0.324	0.00122
	B1/B3	5	10							
	B2	6		6x12						
	C	11	15	10						
63/10	A	6	10		8	63	10	3	0.415	0.00144
	B1/B3	5	10							
	B2	6		6x12						
50/12	A	6	10		10	50	12	2.8	0.399	0.00149
	B1/B3	5	10							
	B2	6		8x15						
	C	12	18	12						
63/12	A	6	10		10	63	12	3	0.491	0.00171
	B1/B3	5	10							
	B2	6		8x15						
	C	12	18	12						

ESECUZIONI A RICHIESTA	AVAILABLE OPTIONS
Esecuzioni assi diverse	Different shaft Configurations
Asse acciaio inox	Stainless steel shaft
Asse acciaio zincato	Galvanized steel shaft
Tubo di colore diverso	Different color tubes
Sfere acciaio inox	Stainless Steel balls