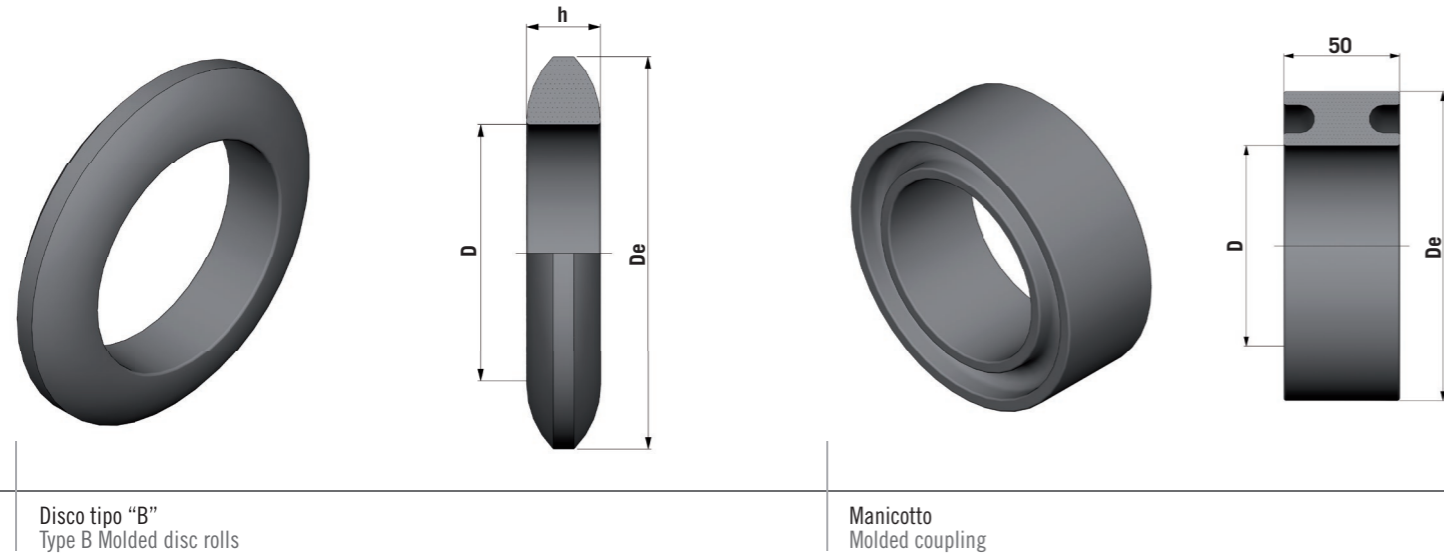
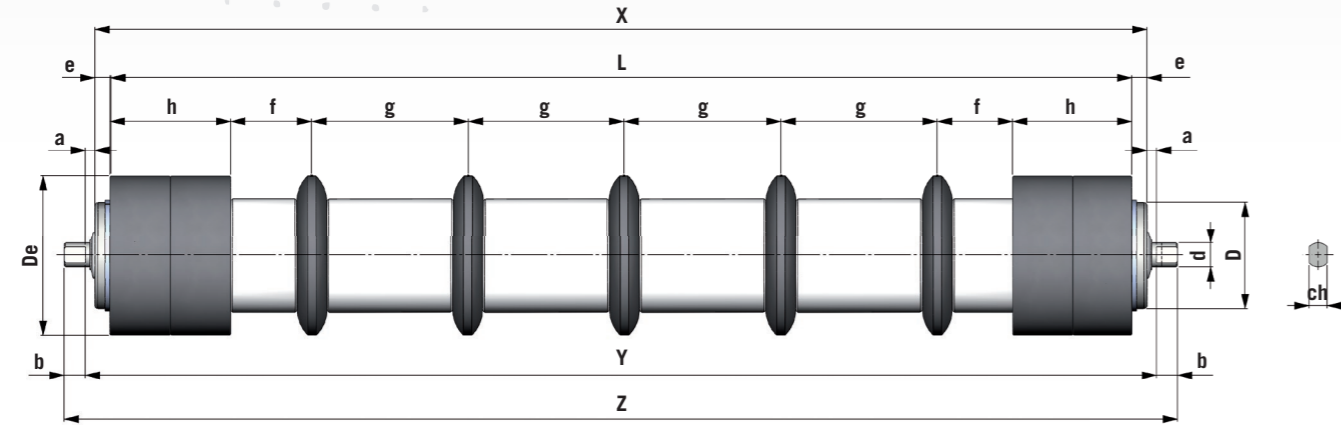


## RULLI ANTI ADESIONE CON DISCHI TIPO "B" NON-GRIP ROLLERS WITH TYPE "B" MOLDED DISC ROLLS



Disco tipo "B"  
 Type B Molded disc rolls

Manicotto  
 Molded coupling

## RULLI ANTI ADESIONE CON DISCHI TIPO "B" NON-GRIP ROLLERS WITH TYPE "B" MOLDED DISC ROLLS

TIPO - TYPE	TIPO DISCHI DISK TYPE	ESEC. ASSE SHAFT CONFIG.	DIMENSIONI - DIMENSIONS						PESO (KG) - WEIGHT (KG)	
			a	b	ch	De	D	d	X=200	Al mm - Per mm
SIGMA 108-60/15	DB	A	4	9	14-15-17	108	60	20	2,991	0,01495
SIGMA 133-60/15	DB	A	4	9	14-15-17	133	60	20	3,851	0,01925
OMEGA 108-60/20	DB	A	4	9	14-15-17	108	60	20	3,197	0,01598
OMEGA 133-60/20	DB	A	4	9	14-15-17	133	60	20	4,057	0,02028
OMEGA 159-89/20	DB	A	4	9	14-15-17	159	89	20	5,126	0,02563
OMEGA 159-89/25	DB	A	4	12	18	159	89	25	5,403	0,02702
OMEGA 180-89/25	DB	A	4	12	18	180	89	25	5,975	0,02987
OMEGA 159-89/30	DB	A	4	12	22	159	89	30	5,742	0,02871
OMEGA 180-89/30	DB	A	4	12	22	180	89	30	6,314	0,03157

### DATI PER NASTRI E RULLI CON DISCHI TIPO B DATA FOR BELTS AND ROLLERS WITH TYPE "B" DISKS

LARGHEZZA DEL NASTRO BELT WIDTH	500	650	800	1000	1200	1400	1600	1800	2000
LUNGHEZZA DEI RULLI ROLLER LENGTH X=	600	750	950	1150	1400	1600	1800	2000	2200
QUOTE - QUOTE									
e	10	10	35	25	50	50	25	25	25
f	70	70	80	75	80	75	75	55	75
g	120	130	130	130	140	150	150	160	160
h	100	100	100	150	150	150	200	200	200
L	580	730	880	1100	1300	1500	1750	1950	2150
n° dischi - n° molded disc rolls	3	4	5	6	7	8	9	10	11
n° manicotti - n° molded couplings	4	4	4	6	6	6	8	8	8
Peso DB 108-60 e Distanziali Weight DB 108-60 and Spacers	2,353	2,777	3,201	4,177	4,714	5,250	6,294	6,831	7,368
Peso DB 133-60 e Distanziali Weight DB 133-60 and Spacers	3,579	4,132	4,684	6,209	6,875	7,540	9,133	9,798	10,464
Peso DB 159-89 e Distanziali Weight DB 159-89 and Spacers	5,473	6,429	7,384	9,665	10,843	12,022	14,437	15,615	16,793
Peso DB 180-89 e Distanziali Weight DB 180-89 and Spacers	6,277	7,379	8,482	11,091	12,417	13,743	16,486	17,812	19,138

### MANICOTTI M MOLDED COUPLINGS M

TIPO - TYPE	DIMENSIONI - DIMENSIONS			PESO (KG) - WEIGHT (KG)
	De	D	h	UNIT. - UNIT.
M 108-60	108	60	50	0,31
M 133-60	133	60	50	0,52
M 159-89	159	89	50	0,73
M 180-89	180	89	50	0,82