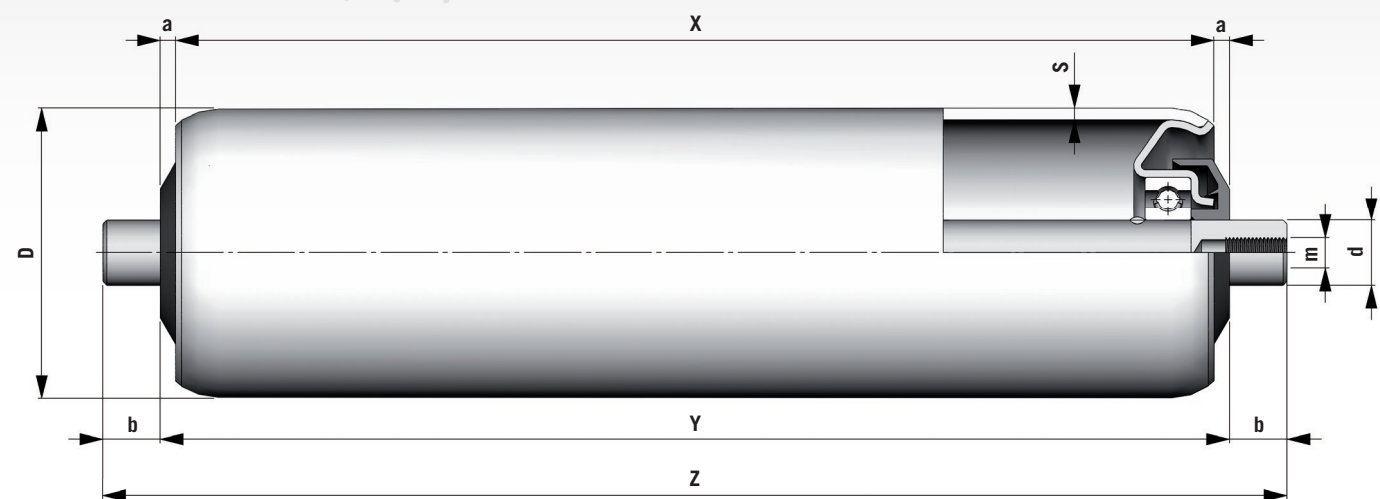
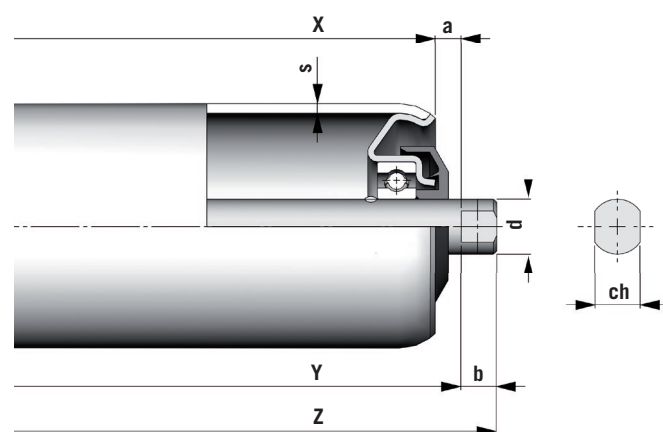


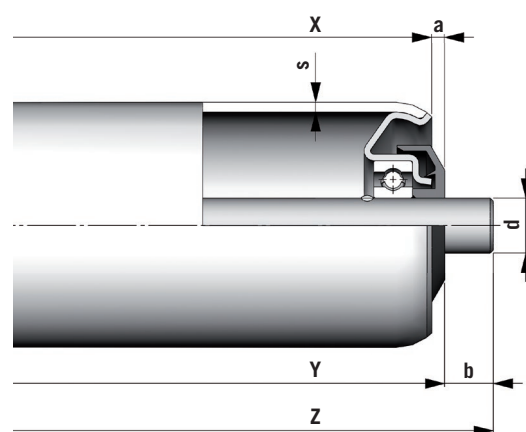
RULLO DELTA DELTA ROLLER



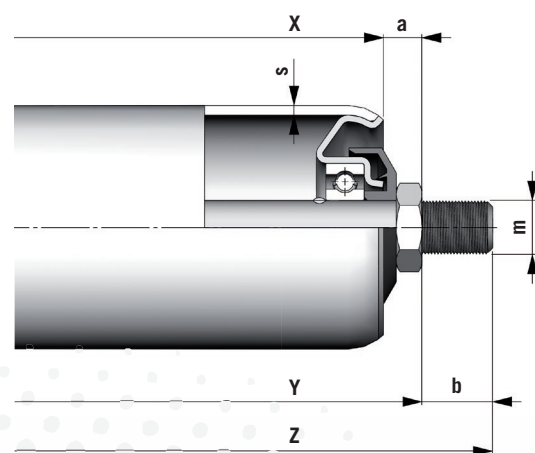
EXEC B2



EXEC A



EXEC B1



EXEC C

RULLO DELTA DELTA ROLLER

TIPO TYPE	ESEC. ASSE SHAFT CONFIG.	DIMENSIONI - DIMENSIONS							PESO (KG) - WEIGHT (KG)	
		a	b	m	ch	D	d	s	X=200	Al mm - Per mm
38/15	A	8	10		12	38	15	2.5	0.846	0.00316
	B	8	10	10x15						
	C	16	25	14						
40/15	A	8	10		12	40	15	3	1.037	0.00412
	B	8	10	10x15						
	C	16	25	14						
60/15	A	5	10		12	60	15	3	1.521	0.00560
	B	4	12	10x15						
	C	12	25	14						
76/15	A	5	10		12	76	15	3	1.824	0.00679
	B	4	12	10x15						
	C	12	25	14						
89/15	A	5	10		12	89	15	3	2.088	0.00775
	B	4	12	10x15						
	C	12	25	14						
45/17	A	8	10		15	45	17	3	1.262	0.00479
	B	8	12	12x20						
	C	16	30	16						
50/17	A	5	10		15	50	17	3	1.485	0.00526
	B	4	12	12x20						
	C	13	30	16						
60/17	A	5	10		15	60	17	3	1.635	0.00600
	B	4	12	12x20						
	C	12	30	16						
70/17	A	5	10		15	70	17	3	1.893	0.00674
	B	4	12	12x20						
	C	12	30	16						
76/17	A	5	10		15	76	17	3	2.002	0.00718
	B	4	12	12x20						
	C	12	30	16						
89/17	A	5	10		15	89	17	3	2.252	0.00814
	B	4	12	12x20						
	C	12	30	16						
80/20	A	5	10		17	76	20	3	2.331	0.00786
	B	4	12	12x20						
	C	13	30	20						
89/20	A	5	10		17	89	20	3	2.659	0.00883
	B	4	12	12x20						
	C	13	30	20						

ESECUZIONI A RICHIESTA	AVAILABLE OPTIONS
Esecuzioni assi diverse	Different shaft configurations
Asse acciaio zincato	Galvanized steel shaft
Asse acciaio inox	Stainless steel shaft
Tubo acciaio zincato	Galvanized steel tube
Tubo acciaio inox	Stainless steel tube
Cuscinetti 2RS	2RS Bearings
Cuscinetti acciaio inox	Stainless steel bearings
Cuscinetti bonderizzati per alte temperature	Special stabilising bearings for high temperature
Rivestimento con guaina in PVC	PVC sheath coating
Rivestimento con guaina in gomma	Rubber sheath coating
Rivestimento con poliuretano	Polyurethane coating