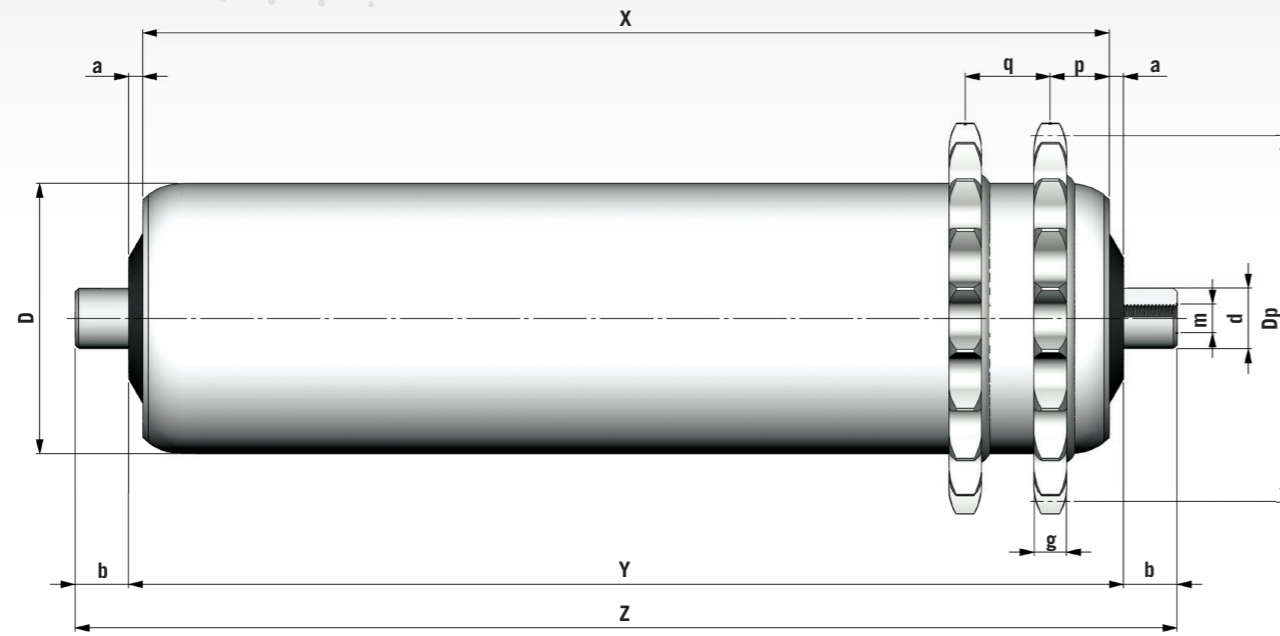
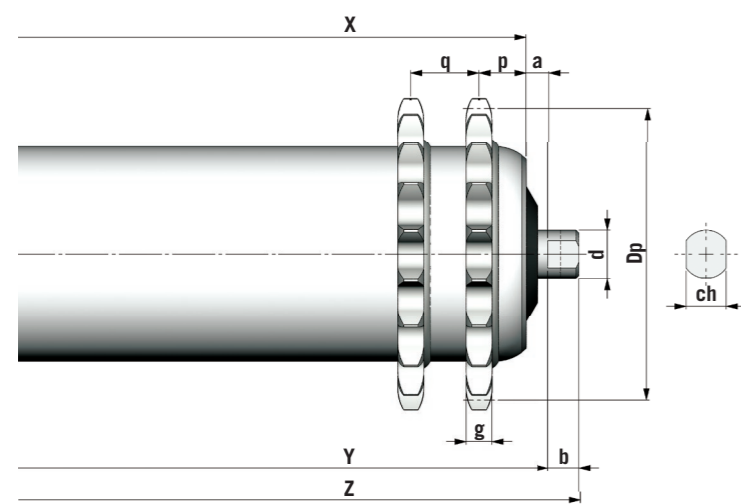


RULLO DELTA 2R

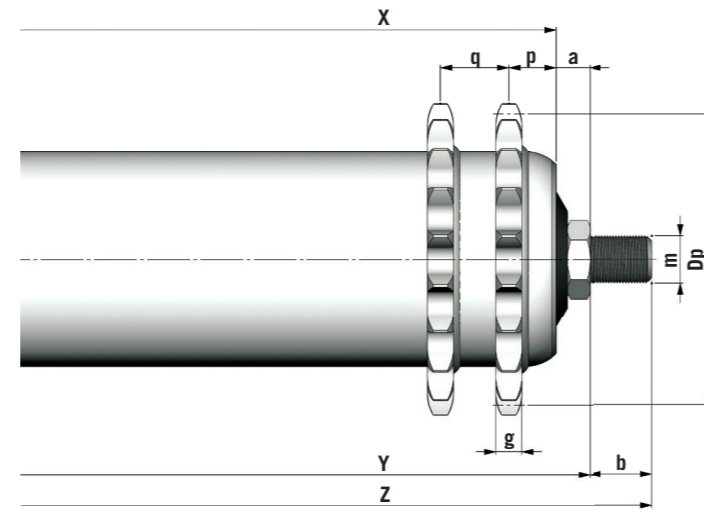
DELTA ROLLER 2R



EXEC B2



EXEC A



EXEC C

RULLO DELTA 2R

DELTA ROLLER 2R

TIPO TYPE	PASSO CATENA CHAIN PITCH	N° DENTI Z N. TEETH Z	Dp	ESEC. ASSE SHAFT CONFIG.	DIMENSIONI - DIMENSIONS										PESO (kg) WEIGHT (KG)	
					a	b	m	ch	p	q	g	D	d	s	X=200	Al mm - Per mm
38/15	3/8" x 7/32"	17	51.83	A	8	10		12	8.5	17	5	38	15	2.5	0.898	0.00316
				B	8	10	10x15									
				C	16	25	14									
40/15	1/2" x 5/16"	14	57.07	A	8	10		12	11.5	21	7	40	15	3	1.125	0.00412
				B	8	10	10x15									
				C	16	25	14									
60/15	1/2" x 5/16"	20	81.19	A	5	10		12	13.5	21	7	60	15	3	1.721	0.00560
				B	4	12	10x15									
				C	12	25	14									
76/15	5/8" x 3/8"	20	101.49	A	5	10		12	16.5	24	8.8	76	15	3	2.250	0.00679
				B	4	12	10x15									
				C	12	25	14									
89/15	5/8" x 3/8"	23	116.58	A	5	10		12	16.5	24	8.8	89	15	3	2.588	0.00775
				B	4	12	10x15									
				C	12	25	14									
50/17	1/2" x 5/16"	17	69.11	A	5	10		15	11.5	21	7	50	17	3	1.637	0.00526
				B	4	12	12x20									
				C	13	30	16									
60/17	1/2" x 5/16"	20	81.19	A	5	10		15	13.5	21	7	60	17	3	1.835	0.00600
				B	4	12	12x20									
				C	12	30	16									
76/17	5/8" x 3/8"	20	101.49	A	5	10		15	16.5	24	8.8	76	17	3	2.428	0.00718
				B	4	12	12x20									
				C	12	30	16									
89/17	5/8" x 3/8"	23	116.58	A	5	10		15	16.5	24	8.8	89	17	3	2.752	0.00814
				B	4	12	12x20									
				C	12	30	16									
76/20	5/8" x 3/8"	20	101.49	A	5	10		17	16.5	24	8.8	76	20	3	2.757	0.00786
				B	4	12	12x20									
				C	13	30	20									
89/20	5/8" x 3/8"	23	116.58	A	5	10		17	16.5	24	8.8	89	20	3	3.159	0.00883
				B	4	12	12x20									
				C	13	30	20									

ESECUZIONI A RICHIESTA	AVAILABLE OPTIONS
Esecuzioni assi diverse	Other shaft configurations
Asse acciaio zincato	Galvanized steel shaft
Asse acciaio inox	Stainless steel shaft
Posizioni corone diverse	Other gear positions
Tubo acciaio zincato	Galvanized steel tube
Tubo acciaio inox	Stainless steel tube
Cuscinetti 2RS	2RS Bearings
Cuscinetti acciaio inox	Stainless steel bearings
Cuscinetti bonderizzati per alte temperature	Special stabilising bearings for high temperatures
Rivestimento con guaina in PVC	PVC Sheath coating
Rivestimento con guaina in gomma	Rubber sheath coating